

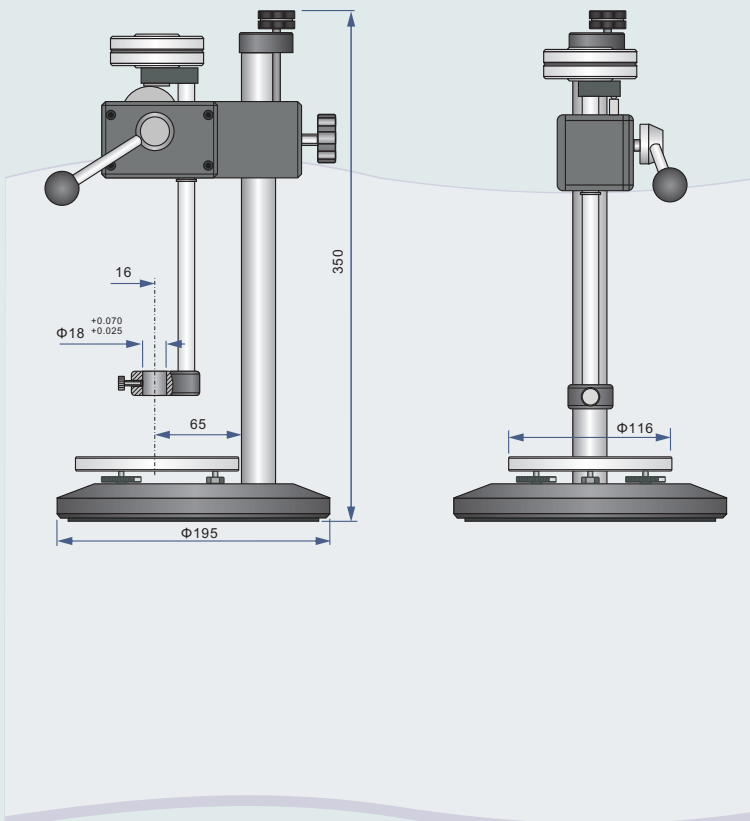
### Specifications

Operating Type	Indentor to specimen
Loading Method	Cam loading
Loading Stroke	18 mm
Specimen Thickness	60 mm
Throat Depth	65 mm
Support Table (dia. )	Φ116 mm
Lifting Adjustment	Screw adjustment
Table Adjustment	Three-point leveling
Net Weight	5.6kg(excluding S weight)
Package Weight	7.6kg(excluding D weight)



Test Stand

### Dimension



### Optional

D Weights
4500 gr
